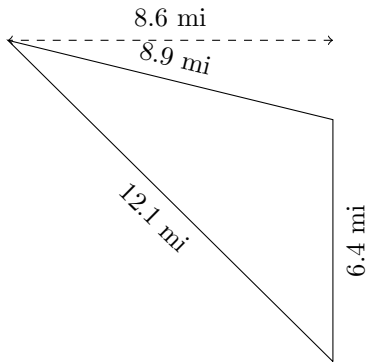


Perimeter and Area of Triangles (A)

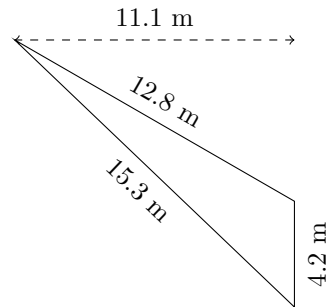
Calculate the perimeter and area for each triangle.

1.



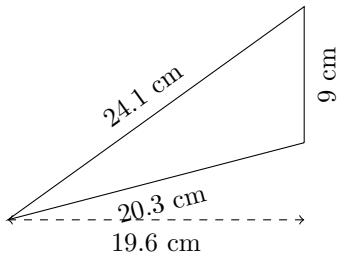
$P = ? \text{ mi}$
 $A = ? \text{ mi}^2$

2.



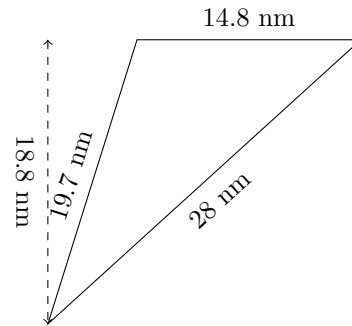
$P = ? \text{ m}$
 $A = ? \text{ m}^2$

3.



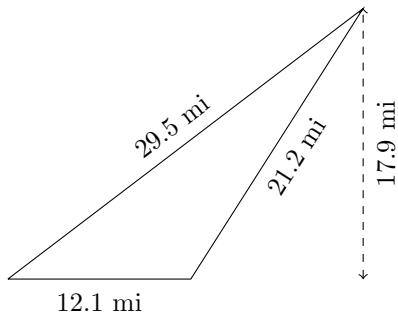
$P = ? \text{ cm}$
 $A = ? \text{ cm}^2$

4.



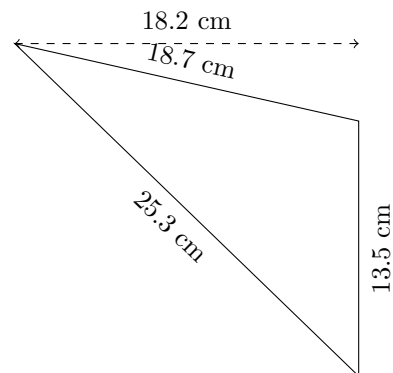
$P = ? \text{ nm}$
 $A = ? \text{ nm}^2$

5.



$P = ? \text{ mi}$
 $A = ? \text{ mi}^2$

6.



$P = ? \text{ cm}$
 $A = ? \text{ cm}^2$