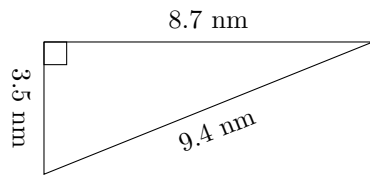


Perimeter and Area of Triangles (G)

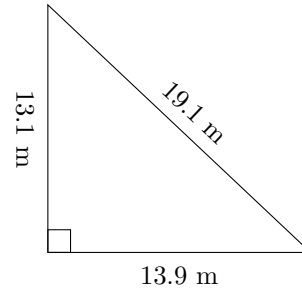
Calculate the perimeter and area for each triangle.

1.



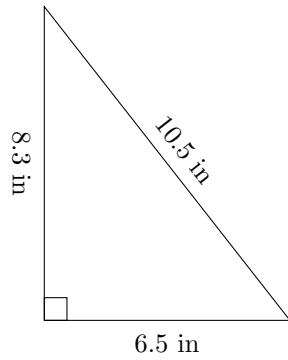
$$P = ? \text{ mm}$$
$$A = ? \text{ mm}^2$$

2.



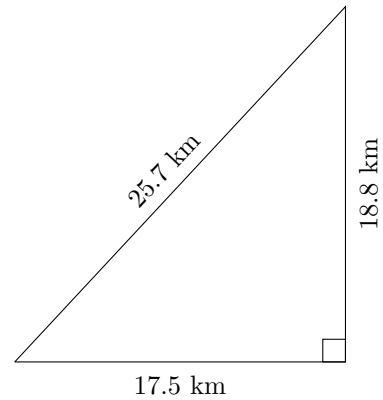
$$P = ? \text{ m}$$
$$A = ? \text{ m}^2$$

3.



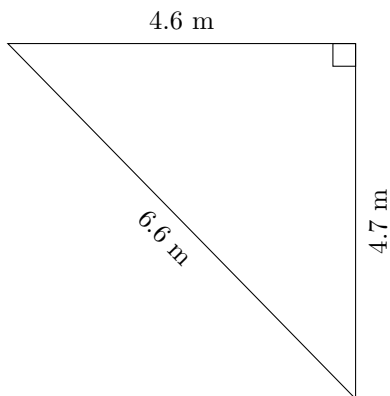
$$P = ? \text{ in}$$
$$A = ? \text{ in}^2$$

4.



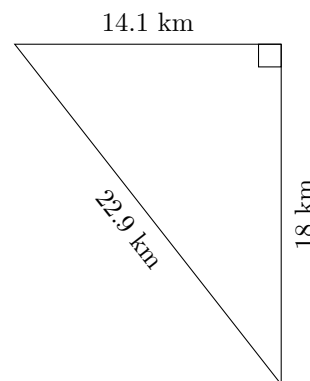
$$P = ? \text{ km}$$
$$A = ? \text{ km}^2$$

5.



$$P = ? \text{ m}$$
$$A = ? \text{ m}^2$$

6.

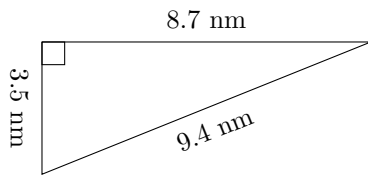


$$P = ? \text{ km}$$
$$A = ? \text{ km}^2$$

Perimeter and Area of Triangles (G) Answers

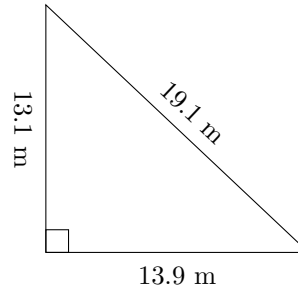
Calculate the perimeter and area for each triangle.

1.



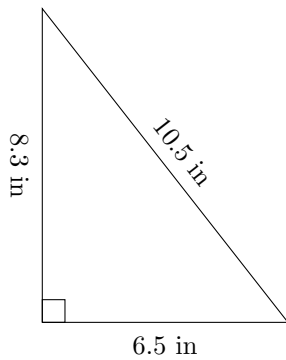
$$P = 21.6 \text{ nm}$$
$$A = 15.225 \text{ nm}^2$$

2.



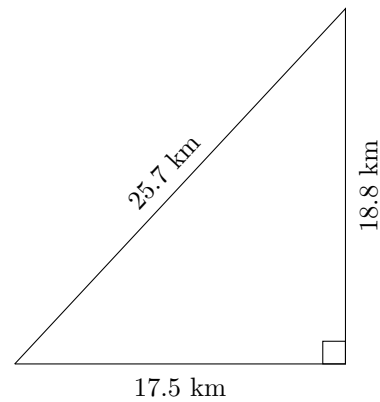
$$P = 46.1 \text{ m}$$
$$A = 91.045 \text{ m}^2$$

3.



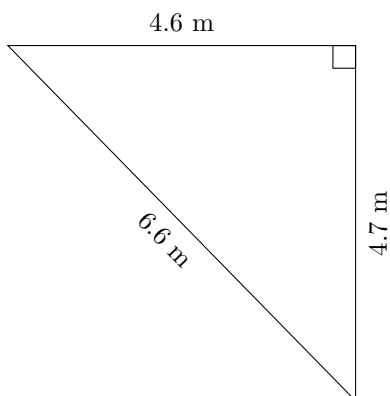
$$P = 25.3 \text{ in}$$
$$A = 26.975 \text{ in}^2$$

4.



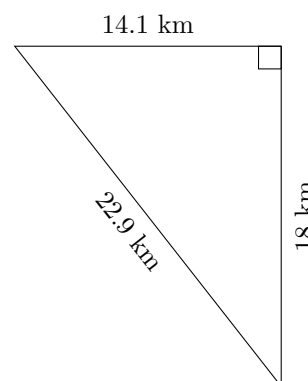
$$P = 62 \text{ km}$$
$$A = 164.5 \text{ km}^2$$

5.



$$P = 15.9 \text{ m}$$
$$A = 10.81 \text{ m}^2$$

6.



$$P = 55 \text{ km}$$
$$A = 126.9 \text{ km}^2$$