

# Triangular Prisms (E)

Name: \_\_\_\_\_

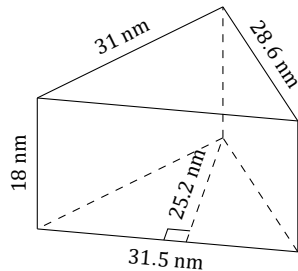
Date: \_\_\_\_\_

Calculate the volume and surface area of each triangular prism.

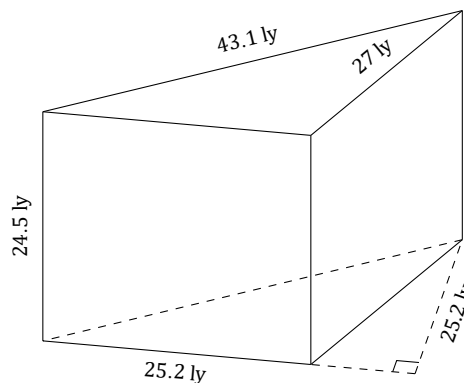
Volume is equal to the Area of the Base  $\times$  the Prism Length =  $0.5 \times b \times h \times l$

Surface Area is equal to the Perimeter of the Base  $\times$  the Prism Length + Twice the Area of the Base =  $(P \times l) + (b \times h)$

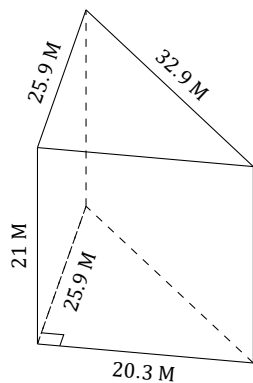
1.



2.



3.



4.

